

**Duct airflow monitors,
including mounting flange, electronic, one-step and two-step,
with active/switching output**

Electronic duct air flow sensor **RHEASGARD® KLGf** with active output, in an impact-resistant plastic housing, optionally with/without display, for determining the flow velocity in m/s. The measuring transducer converts the measurement signal into a standard signal of 0 - 10 V.

Electronic duct air flow monitor **RHEASREG® KLSW** with switching output (relay one-step or two-step), in a plastic housing, for determining the flow velocity in m/s. Fine adjustment of the measuring range end value by the user is possible with the help of a potentiometer.

The flow sensors are suitable for monitoring or controlling airflows in ducts, at ventilators and dampers, for flow-dependent monitoring of humidifiers and electric heating registers according to DIN 57100, part 420, or for use in connection with DDC systems.

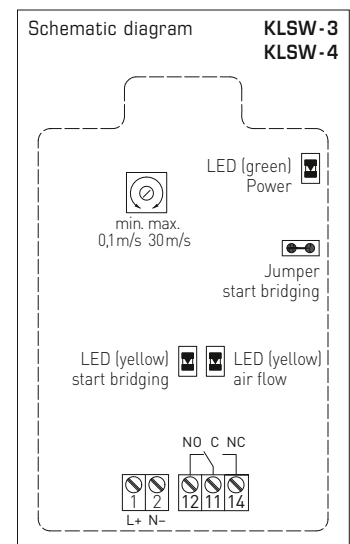
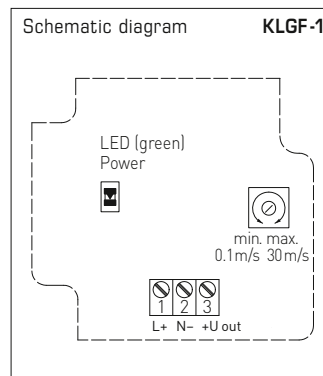
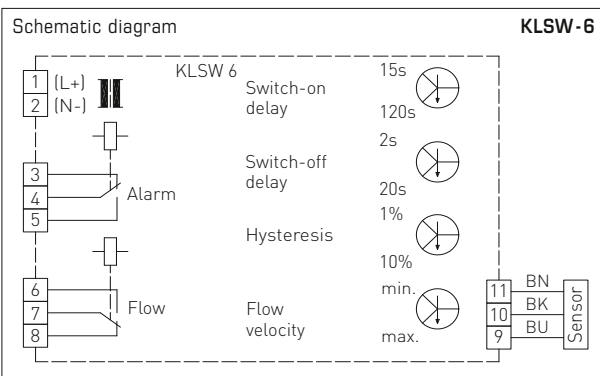
TECHNICAL DATA

| | | | |
|------------------------|--|---------------------------------|--|
| Power supply: | 24 V AC / DC or 230 V AC +5 / -13 %, 50...60 Hz | | |
| Output: | 1 or 2 potential-free relays (changeover contacts), 8 A, max. 2 kW or 0 - 10 V (relative, linearised on request), see table | | |
| Current consumption: | approx. 3 VA | | |
| | KLGF-1, KLSW-3, KLSW-4 | KLSW-6 | |
| Measuring range: | 0.1...30 m/s | 0.1...15 m/s | |
| Sensitivity: | 0.1...30 m/s (adjustable) | 0.1...15 m/s (adjustable) | |
| Switching hysteresis: | 2% (permanently set) | approx. 1...10% (adjustable) | |
| Start bridging: | – | approx. 15...120 s (adjustable) | |
| Switch-off delay: | – | approx. 2...20 s (adjustable) | |
| Connection cable: | max. 50 m at minimum cross section 1.5 mm ² per conductor; avoid laying parallel with mains voltage-carrying lines, or use shielded cables, apply cable screen one-sided | | |
| Ambient temperature: | 0...+60 °C at the device; 0...+80 °C medium | | |
| Medium: | pollutant-free, non-precipitating air | | |
| Sensor: | sensor breakage protection, temperature-compensated | | |
| Housing: | plastic, UV-stabilised, material polyamide, 30% glass-globe reinforced, colour traffic white (similar to RAL 9016) KLSW-xx, KLGf-1 with display: 108 x 70 x 73.5 mm (Thor 2) KLGf-1 without display: 72 x 64 x 37.8 mm (Tyr 1), with quick-locking screws (slotted / Phillips head combination) | | |
| Cable connection: | cable gland , plastic (M 16 x 1.5; with strain relief, exchangeable, inner diameter 10.4 mm) or M12 connector according to DIN EN 61076-2-101 (optional on request) | | |
| Protective tube: | metal (brass, nickel-plated), Ø 10 mm, nominal length NL = 140 mm | | |
| Process connection: | by mounting flange (included in the scope of delivery) | | |
| Electrical connection: | 0.25 - 2.5 mm ² , via screw terminals | | |
| Protection class: | II (according to EN 60730) at KLSW 3 (UB = 230 V AC) III (according to EN 60730) at UB = 24 V | | |
| Protection type: | IP 65 (according to EN 60529) | | |
| Standards: | CE conformity, EMC directive 2014 / 30 / EU, low-voltage directive 2014 / 35 / EU | | |

KLSW-xx



KLGF-1
with display



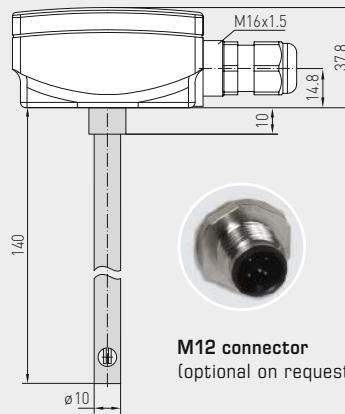
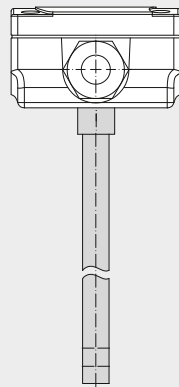
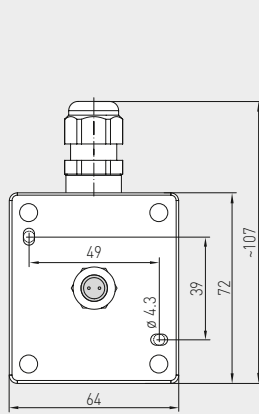


S+S REGELTECHNIK

RHEASGARD® KLGf
RHEASREG® KLSW

Duct airflow monitors,
including mounting flange, electronic, one-step and two-step,
with active/switching output

Dimensional drawing



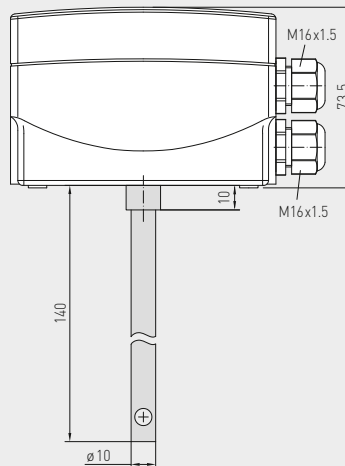
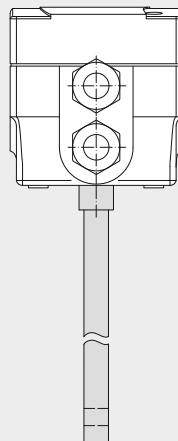
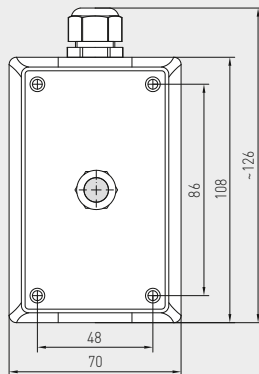
M12 connector
(optional on request)

KLGf-1 without display
(compact)

KLGf-1
without display
(compact)

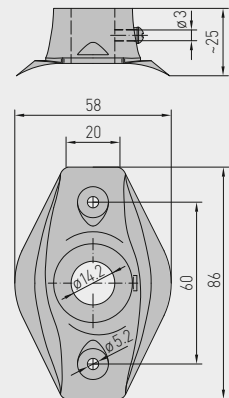


Dimensional drawing



KLSW-xx
KLGf-1 with display

Dimensional drawing



MF-14-K

RHEASGARD® KLGf Duct airflow monitors
RHEASREG® KLSW Duct airflow monitors, one-step and two-step

| Type / WG01 | Relay (Steps) | Power-Supply | Output | Display | Item No. | Price |
|----------------------|---|--------------|------------------------|---------|--------------------|-----------------|
| KLGf | | | | | | |
| KLGf 1 | – | 24 V AC / DC | 0-10 V (relative) | | 1701-3120-1000-000 | 238,83 € |
| KLGf 1_Display | – | 24 V DC | 0-10 V (linearised) | ■ | on request | |
| KLSW one-step | | | | | | |
| KLSW 3 | 1 | 230 V AC | 1 x Changeover contact | | 1701-3011-0001-000 | 177,19 € |
| KLSW 4 | 1 | 24 V AC / DC | 1 x Changeover contact | | 1701-3021-0000-000 | 177,19 € |
| KLSW two-step | | | | | | |
| KLSW 6 | 2 | 24 V AC / DC | 2 x Changeover contact | | 1701-3022-0000-000 | 223,42 € |
| Note: | KLSW 6 is supplied as standard with a manual reset button! Automatic reset (without reset button) | | | | | on request |
| Optional: | Cable connection with M12 connector according to DIN EN 61076-2-101 | | | | | on request |